

## Accessories

### Shut-off valves according to DIN 16 270, DIN 16 271, DIN 16 272



#### Application:

It is principle appropriate to install a barricade between the pressure measuring instrument and pressure pipe. Shut-off valves make it possible to control or exchange a pressure measuring instrument without a breakdown. For shut-off valves with a test connection, it is possible to connect an additional test pressure measuring instrument.

**Stop valves** could be applied (according to the choosen material) from PN 250 up to PN 400 and for a measuring material temperature from  $-20^{\circ}\text{C}$  up to  $200^{\circ}\text{C}$  for liquids, gases and steam.

#### Model, Standard

Connection G 1/2 belongs to DIN 16 288 valve-case with vent screw stem and pin from rustproof and acid-proof steel stuffing box made of PTFE  
Handwheel = synthetic material  
Silicone free

#### Options

Oil and fat free  
Inspection certificate 3.1 B DIN 50 049/EN 10 204

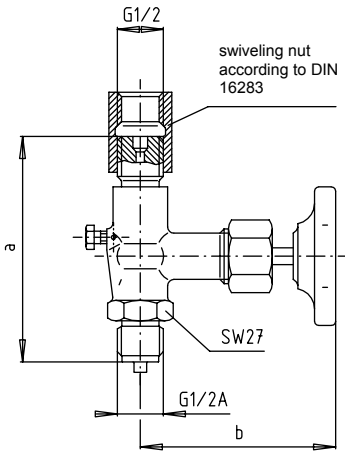
Model	Connection	Material	PN [ bar ]	Temperature range	Form	Item no.:
without test connection  according to <b>DIN 16 270</b>	1/2 NPT <sup>2)</sup>	Brass	250	-10 to $120^{\circ}\text{C}$	A	
		1.4571	400	-20 to $200^{\circ}\text{C}$	A	
	G 3/8	Brass <sup>1)</sup>	250	-10 to $120^{\circ}\text{C}$	A	
		Steel	400	-10 to $200^{\circ}\text{C}$	B	60 15 1
					A	60 15 2
		1.4571	400	-20 to $200^{\circ}\text{C}$	A	60 15 3
B	60b15 3					
with test connection M20 x 1,5  according to <b>DIN 16 271</b>	1/2 NPT <sup>2)</sup>	Steel	250	-20 to $200^{\circ}\text{C}$	A	
		1.4571	400		A	
	G 1/2	Brass <sup>1)</sup>	250		A	70 15 1
		Steel	400	-10 to $120^{\circ}\text{C}$	B	70b15 1
					A	70 15 2
		1.4571	400	-20 to $200^{\circ}\text{C}$	B	70b15 2
A	70 15 3					
G 1/2	Brass <sup>1)</sup>	250	-10 to $120^{\circ}\text{C}$	A	70 15 3	
				B	70b15 3	
with test connection 60 x 25 x 10 mm  according to <b>DIN 16 271</b>	G 1/2	Brass <sup>1)</sup>	250	-10 to $120^{\circ}\text{C}$	A	71 15 1
		Steel	400	-20 to $200^{\circ}\text{C}$	A	71 15 2
with a separate turn of test-connection M20 x 1,5  60 x 25 x 10 mm	G 1/2	Brass <sup>1)</sup>	250	-10 to $120^{\circ}\text{C}$	A	81 15 1
					B	81b15 1
		Steel	400		A	81 15 2
					B	81b15 2
	G 1/2	Brass <sup>1)</sup>	250	-20 to $200^{\circ}\text{C}$	A	81 15 3
					B	81b15 3
G 1/2	Brass <sup>1)</sup>	250	-10 to $120^{\circ}\text{C}$	A	80 15 1	

1) swiveling nut steel

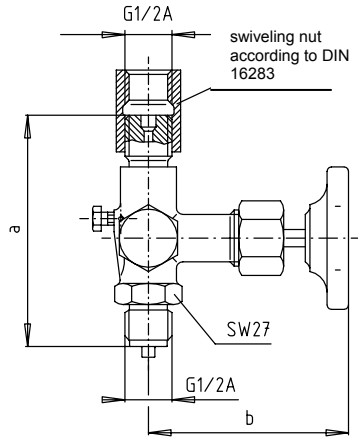
2) fixed female

**Form A, with swiveling nut**

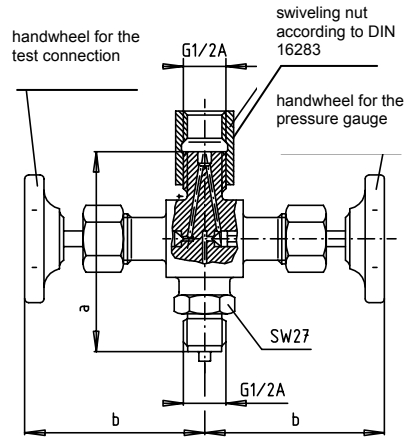
**DIN 16 270** without test connection



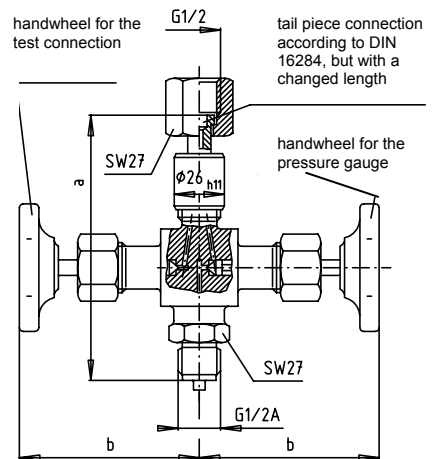
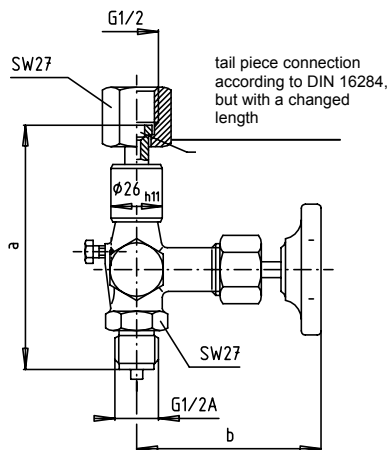
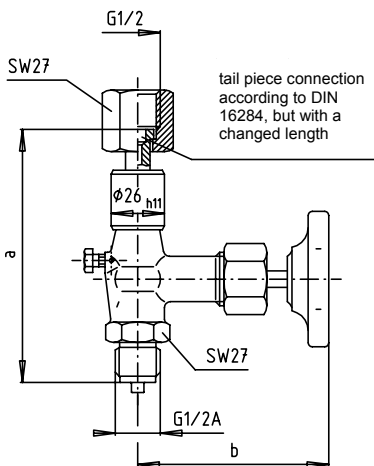
**DIN 16 271** with test connection M20x1,5



**DIN 16 272** with a separate turn off test connection M20x1,5



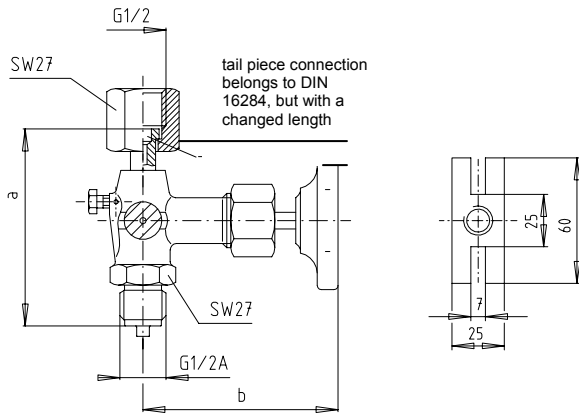
**Form B, union nut with tail piece for gauge holder**



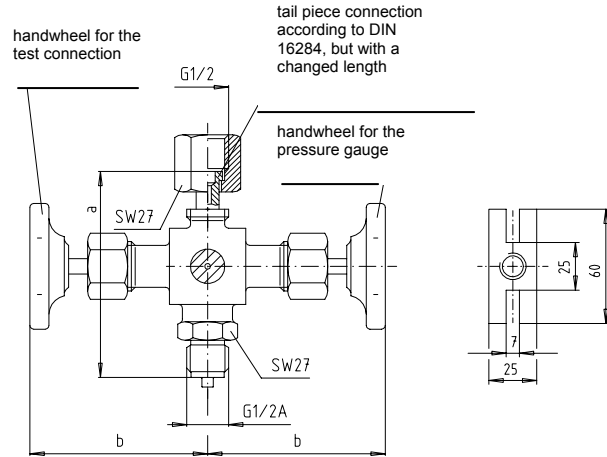
Model	Dimensions [ mm ]		Weight [ kg ]		
	a	b ± 0,5	MS	St	1.4571
<b>DIN 16 270</b>					
Form A	100 ± 1	85	0,54	0,52	0,52
Form B	114 ± 5	85	0,61	0,56	0,56
<b>DIN 16 271</b>					
Form A	100 ± 1	85	0,67	0,65	0,65
Form B	114 ± 5	85	0,79	0,74	0,74
<b>DIN 16 272</b>					
Form A	100 ± 1	85	0,95	0,95	0,95
Form B	114 ± 5	85	1,00	1,00	1,00

**Form A**, union nut with tail piece

**DIN 16 271** with  
test connection flange 60 x 25 x 10 mm



**DIN 16 272** with a separate turn  
test connection flange 60 x 25 x 10 mm



Model	Dimensions ( mm ]		Weight [ kg ]		
	a	b ± 0,5	MS	St	1.4571
<b>DIN 16 271</b>					
Form A	100 ± 1	85	0,69	0,75	--
<b>DIN 16 272</b>					
Form A	100 ± 1	90	1,00	--	--

Dimensions for shut-off valves mit NPT-thread on request.

