

**Heavy Duty contact pressure gauges  
with Bourdon tube and  
magnetic snap-action contacts or inductive  
alarm contacts acc. to EN 837-1**



Diameter 100

connection position radial bottom,  
or eccentric back

**with or without dampening**

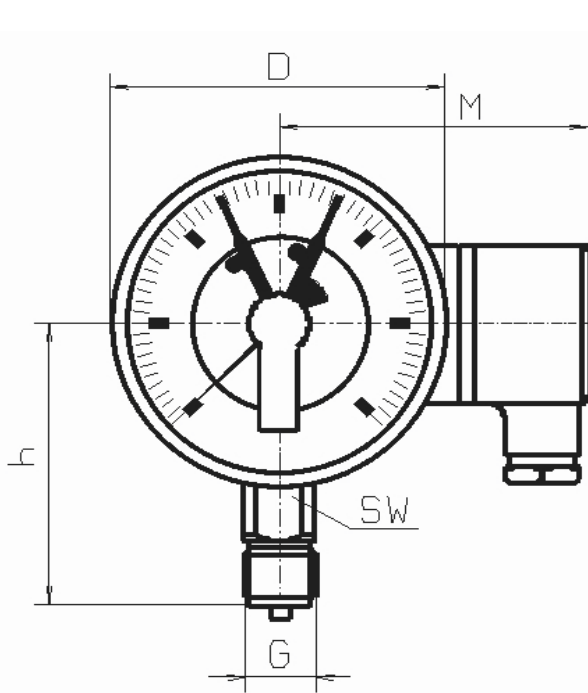


Contact pressure gauges with electrical alarm contacts are suitable for controlling or regulating process sequences. The contacts open or close electrical circuits in relation to the position of the pointer on the pressure gauge.

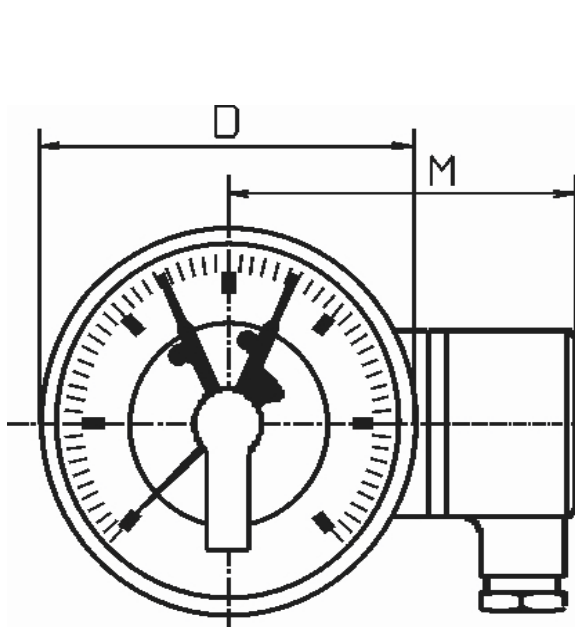
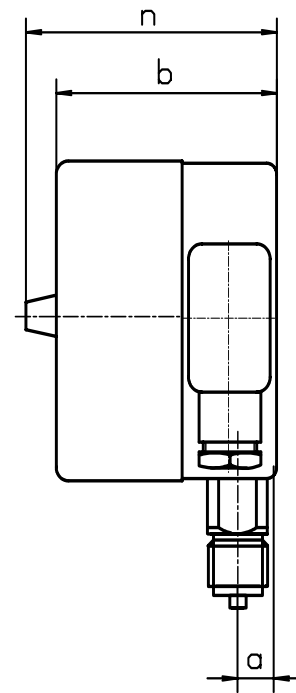
The materials used make the gauges suitable for chemically aggressive gases or liquids, although these should not be too viscous or susceptible to crystallization.

| Types               | 6001   | 7911   | 6111           | 8011   | Options                      |
|---------------------|--|--------|----------------|--------|------------------------------|
| Diameter            | 100  |        |                |        |                              |
| Symbol              |  |        |                |        |                              |
| Liquid filling      | Silicon oil  |        | Silicon oil    |        | Ester oil (free of silicon)  |
| Number of contacts  | from 1 bar each 2 magnetic snap-action and inductive alarm contacts<br>at 1,6 bar 2 magnetic snap-action or 3 inductive alarm contacts<br>from 4 bar 4 magnetic snap-action contacts |        |                |        |                              |
| cable connection    | PG 13,5, socket right side   |        |                |        |                              |
| Accuracy class      | <math>\leq 1,6 \text{ bar}</math>: class 1,6; > 1,6 bar: class 1,0 acc. to EN 837-1  |        |                |        |                              |
| Ranges              | 0...1 to 0...1000 bar<br>Negative or positive and negative and positive overpressure   |        |                |        |                              |
| Applications        | Constant load: up to the end of scale value<br>Alternating load: up to the end of scale value<br>Short time: 1.3 x overload capacity   |        |                |        | up to 2.5 x                  |
| Case                | Stainless steel 1.4301   |        |                |        |                              |
| Ring                | Stainless steel 1.4301   |        |                |        |                              |
| Window              | Plastic, Polycarbonat  |        |                |        |                              |
| Dial                | Al white, Scale and printing black   |        |                |        | Dual scale                   |
| Pointer             | Al black   |        |                |        |                              |
| Movement            | CuZn-alloy   |        |                |        |                              |
| Measuring element   | Cu-alloy up to 40 bar, over 40 bar stainless steel   |        |                |        |                              |
| Pressure connection | CuZn-alloy up to 1000 bar, over 1000 bar stainless steel 1.4571  |        |                |        |                              |
| Pressure position   | radial bottom  |        | eccentric back |        |                              |
| Pressure thread     | G 1/2 B  |        |                |        | others on request            |
| Temperatures        | Medium: -20°C to 80°C, ambient -25°C to 60°C   |        |                |        | special solder 130°C         |
| Temp. Drift         | 0,3%/10K deviation of normal temperature 20°C  |        |                |        |                              |
| Protection          | IP 54  | IP 65  | IP 54          | IP 65  |                              |
| Orifice             |  |        |                |        | dmr. 0,3; dmr. 0,4; dmr. 0,8 |
| Approx. Weight      | 0,9 kg   | 1,2 kg | 0,9 kg         | 1,2 kg |                              |

| Types     | Dimensions in mm |    |    |     |     |         |    |    |    |    |
|-----------|------------------|----|----|-----|-----|---------|----|----|----|----|
|           | NG               | a  | b  | b1  | D   | G       | h  | M  | n  | SW |
| 6001/7911 | 100              | 15 | 78 | -   | 100 | G 1/2 B | 88 | 88 | 88 | 22 |
| 6111/8011 | 100              | -  | 78 | 113 | 100 | G 1/ B  | -  | 88 | 88 | 22 |



Types 6001/7911



Types 6111/8011

